

## Acoustic Imaging Camera

HZ-HA-160



The HZ-HA-160 acoustic imaging camera is a professional product for objects localization and radiation measuring. With 64 MEMS microphones, the acoustic sensor dynamic range from 30dB~120dB.

HA160 supports audible and ultrasonic frequency bands from 2kHz to 65kHz, and can be used for sound source localization, abnormal sound testing, sound source trajectory tracking and positioning.

For steady-state or high transient sound sources, static or moving objects can obtain excellent detection results, and is currently mainly used in pressurized gas leakage detection and partial discharge detection of power equipment.

By using a 5-inch touch screen, the results presented on the top of a cloud picture allows you to quickly find the source location.

### **Key Feature**

- 64 Low-noise MEMS Microphones array, real-time sound field visualization.
- Supports widely band, from audible sound to hyperbiosis
- 800\*480 resolution 5-inch LCD touch screen
- High-precision measure distance 0.3m ~ 150m
- System self-diagnosis program
- Supports multiple source detection
- 3x digital zoom
- Support Partial discharge and air leakage detection
- PRPD support \*
- Gas leakage estimate support\*
- Partial discharge type intelligent analysis\*

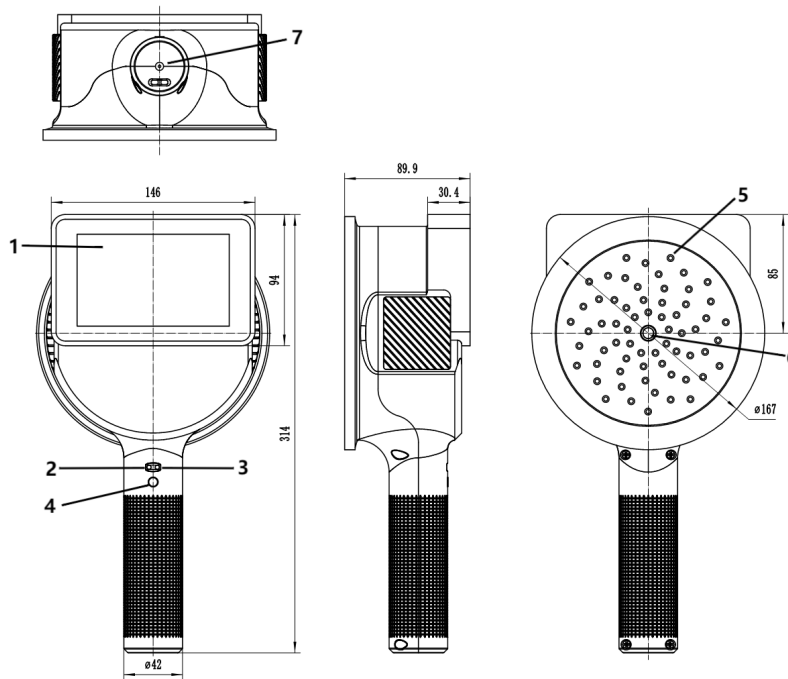
## ■ Specification

<b>Model</b>	<b>HZ-HA-160</b>
<b>Acoustic</b>	
Microphones	64 channel MEMS
Acoustic Image Resolution	800*480 /1920*1080
Dynamic Range of Sensors	30dB ~ 120dB
Sensitivity	-20dB
Distance	0.3m~150m
Bandwidth	2kHz~65kHz
Sampling Rate	130kHz
Camera FOV	65°
Imaging Frame	25FPS
Focal Length	3.9mm
Digital Zoom	3x
Microphone Self-diagnosis	Supports
Source visualization	Support multiple sources detection
<b>General</b>	
Storage	Internal 64GB
Image Format	png
Video File Format	avi
Video Record	More than 2 hours
Display	800 * 480 Resolution, 5-inch Touch Screen
Screen Brightness	Adjustable
Wi-Fi	2.4G/5G
USB	TYPE-A
Battery Operating Time	> 6h
Spare Battery	YES
Power Supply	DC 12V
Protection Level	IP51
Weight	Approx. 900g
Dimension	342.5mm* 167mm* 89.9mm
Working Temperature Range	-20°C ~ 50 °C
Storage Temperature Range	-30°C ~ 60 °C
Humidity	10% -85%
Annotations	Supports
Application Scenarios	Partial discharge detection. Air leakage detection.

## ■ Available Model

HZ-HA-160

## ■ Dimension



1:LCD display 2:Charger indicator 3:Working indicator 4:Power ON/OFF  
5:Microphone arrays 6:Optical camera 7:Charging port

## ■ Packaging list

1. Acoustic Imaging Camera(x 1)
2. DC 12V Charging (x 1)
3. Spare Battery
4. Spare Battery cable
5. Carrying Case
6. User Manual
7. Factory test report